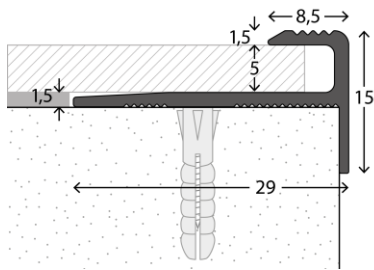



## PERGO STAIR NOSE, CLICK

**PERGO**  
VINYL PLANKS & TILES

Order code	Picture	Qty / pack
PGVSTPCLICKSILVME200 2000 x 29 x 15 mm 		1 PC / PACK

Product specifications

PERGO® stair nose CLICK for Vinyl floors

- Scratch-resistant aluminium, silver colour
- Dimensions 1 PC: 2000 x 30 x 15 mm
- Order quantity: 1 PC
- To be used with 4,5 & 5 mm Vinyl floors.
- Note: Always glue the floor panels for your safety!

Installation

Make sure the vinyl floor is clean, dust-free and level.  
Saw the profile to the correct length.

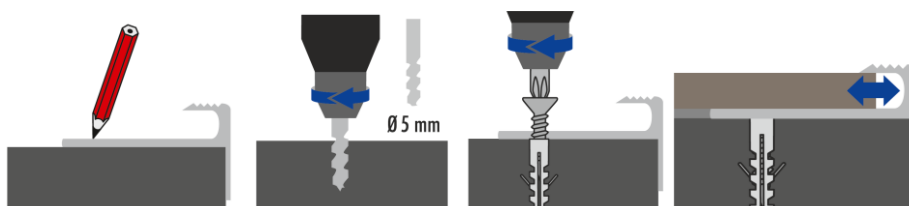
The PERGO stair nose has pre-drilled and countersunk drill holes. Mark the drill holes on the subfloor with a pen.  
Use screws with a diameter of 5 mm.

Installation on mineral subfloors: drill the holes, remove all drilling dust and insert plugs first. Then fix the stair profile with screws.

Installation on wooden subfloors: evaluate the need to use plugs (depends on the type of wood), alternatively screw directly into the wooden subfloor.

Install the Vinyl underlay, avoiding an overlap with the stair profile.

Then insert the Vinyl floor in the profile, assuring some space to allow the floor to contract and expand after installation.



**PERGO STAIR NOSE, CLICK**

When installing this profile on the stairs of your staircase, please glue down your Vinyl floor instead of installing it with underlay.

Use this profile on every outer corner of your stairs.



For the inner corner of the stairs (clicked vinyl) no profile is needed. With the PERGO Vinyl tool and cutting knife you can precisely cut the Vinyl plank to fit the inner corners of your staircase. (PGVTOOL / PGVKNIFE).